

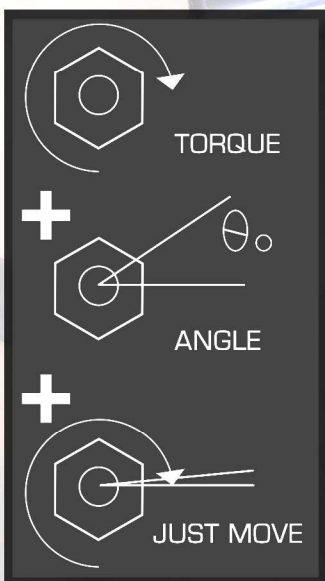
# BMS



## THE TECHNOLOGY LEADER IN TORQUE TOOLS

### KEY FEATURES

- Easy to Use - Menu Driven
- Accuracy of better than 1%
- Viewing Angle of 170 degrees
- Battery Life of up to 180 hours
- Option to customise



Torque | Angle | Just Move Electronic Torque Wrenches



Torque | Angle | Just Move  
Electronic Torque Wrenches

Robust Bi-Directional

Ratchet head



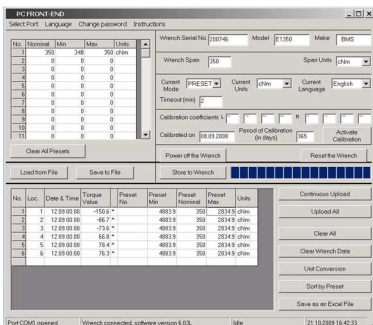
Ring and Open-end  
accessories available

Large Colour  
Organic LED  
Screen High Visibility  
Warning Signals

Membrane Tactile  
Switch with Green/Red  
LED warning Signals

Ergonomic Soft Grips  
for comfort

4xAA Batteries



PCFE Software

## Menu Options

Angle

Date, Language, Comms, Track, Peak, Just Move, Just Angle	✓
Set, Preset, Recall, Upload, Clear	✓
Display: Large Organic LED	✓
Units: cNm, Nm, kgfm, kgfcm, ozins, lbins, lbft	✓
Alarms: Audible & Visual Signals	✓
Automatic Zero Point Setting	✓
Automatic Power Down	✓
Over-torque: Warning system on display	✓
Interchangeable heads	✓
Batteries: Lifespan of up to 180 hours	✓
Storage Capacity: 2000+	✓
Languages: English	✓
Chinese, French, German, Italian, Japanese, Polish, Portuguese	✓
Russian, Spanish, others on request.	✓
Programmable presets: 99, via PC or directly on Wrench	✓
Electronic Calibration: by date or number of measurements	✓
Accuracy: better than 1% of actual reading LHS & RHS	✓
from 10% to 100% of specified range	✓
Torque Angle accuracy better than .5°	✓
Display of measurement: Starts from 2% of maximum	✓
Window Excel & SPC compatible	✓
Comms: USB bi-directional communications	✓
PLC Communications: Using ASCII or Binary transfer	✓

Note\* Wrench can be configured to client specification

### Just Move function

### Torque & Angle Function



Shows Torque applied @ preset

Just Move angle (default 3 degrees)

and the final torque and angle Results.



Set up to  
99 Presets



Measuring  
Torque & Angle



Store & View  
2000+ results or  
Upload to  
PC or SPC

Angle	Drive/Adaptor	Nm	lbins	lbft	Length	Weight	Long Wrench
TAW010	1/4"/3/8":9x12	1-10	8.8-88	.73-7.3	410mm	.85Kg	 Up to 1000Nm
TAW020	1/4"/3/8":9x12	2-20	17-177	1.4-14	410mm	.85Kg	
TAW050	1/4"/3/8":9x12	5-50	44-442	3.6-36	410mm	.85Kg	
TAW100	1/4"/3/8":9x12	10-100	88-885	7.3-73	410mm	.85Kg	
TAW135	1/4"/3/8":9x12	135-135	-	9.9-99	410mm	.85Kg	
TAW150	1/2":14x18	15-150	-	11-110	625mm	1.3Kg	
TAW200	1/2":14x18	20-200	-	14-147	625mm	1.3Kg	
TAW250	1/2":14x18	25-250	-	18.4-184	625mm	1.3Kg	
TAW300	1/2":14x18	30-300	-	22-220	625mm	1.3Kg	
TAW340	1/2":14x18	34-340	-	25-250	625mm	1.3Kg	
TAW600	3/4"	60-600	-	44-440	1000mm	3.92Kg	
TAW800	3/4"	80-800	-	59-590	1000mm	3.92Kg	
TAW1000	3/4"	100-1000	-	73-737	1000mm	3.92Kg	

Note\* Wrench can be configured to have any range from 10-100%