

Solving Beam Mover



▣ Solving in brief

Solving is one of the world's leading manufacturers of industrial handling equipment for heavy loads.

Our products range from simple, manually operated systems to automated riderless vehicles for continuous operation.

Most Solving systems are custom built and manufactured under the product name **Solving Mover**.



Flexible solution for moving heavy loads

■ Solving Beam Movers provide a flexible solution for moving machines, vehicles, steel fabrications and heavy components in factories and workshops.

The Movers provide flexible movement in every direction, light and precise positioning and easy handling regardless of the weight of the load. In addition, the same beam system can be used for several different loads and does not cause any floor wear.



Thanks to the air bearing elements, the load can be easily lifted from the floor.



The Movers provide flexible and precise positioning.



Solving Beam Mover

■ Solving Beam Movers are usually used in pairs, each beam equipped with two air bearings in a single construction.

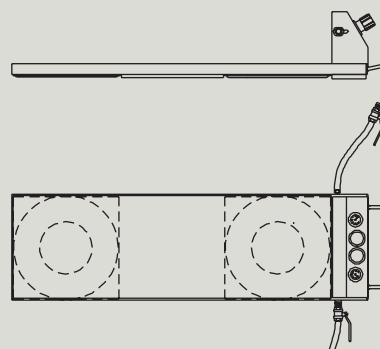
Two or three beams are then placed under the load to be moved and connected to a control box.

Compressed air is connected to the control box, and this enables the air bearings to create an almost friction-free film of air on which the load can be floated.

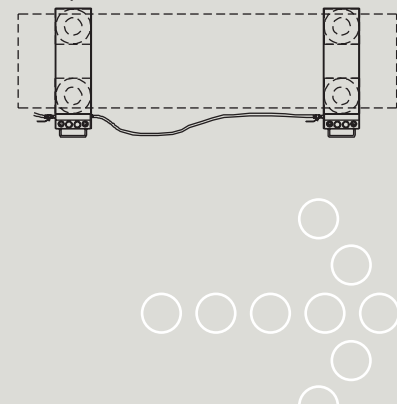
The movement takes place either manually or with the aid of drive units.

TECHNICAL INFORMATION

Capacity	7–44 tonnes
Length	1 000–2 600 mm
Width	300–920 mm
Height	55–80 mm
Weight	25–100 kg
Air supply	15–25 mm DN
Air consumption	1 200–4 000 NI/min



Example of use with two beams



SPECIFICATIONS BY TYPE

Type	Capacity/pair kg	Air bearing element	Size ¹ LxWxH mm	Weight kg	Air supply mm DN	Air consumption ² NI/min
SP 7	7 000	SE 12-1,8	1 000x300x55	25	15	1 200
SP 10	10 000	SE 15-2,5	1 200x380x60	30	20	2 200
SP 14	14 000	SE 21S-3,5	1 600x540x70	60	20	3 000
SP 24	24 000	ME 27S-6,0	2 100x690x80	80	20	3 600
SP 44	44 000	ME 36S-11	2 600x920x80	100	25	4 000

¹ The length L can be specified as required

² Approximate values (total for two beams)

Other dimensions and modifications, such as extra height or multiple bearings, are available upon request.

Ab Solving Oy
PO Box 98
FI-68601 Jakobstad
Finland

Tel. +358 6 781 7500
Fax +358 6 781 7510
info@solving.fi
www.solving.fi

